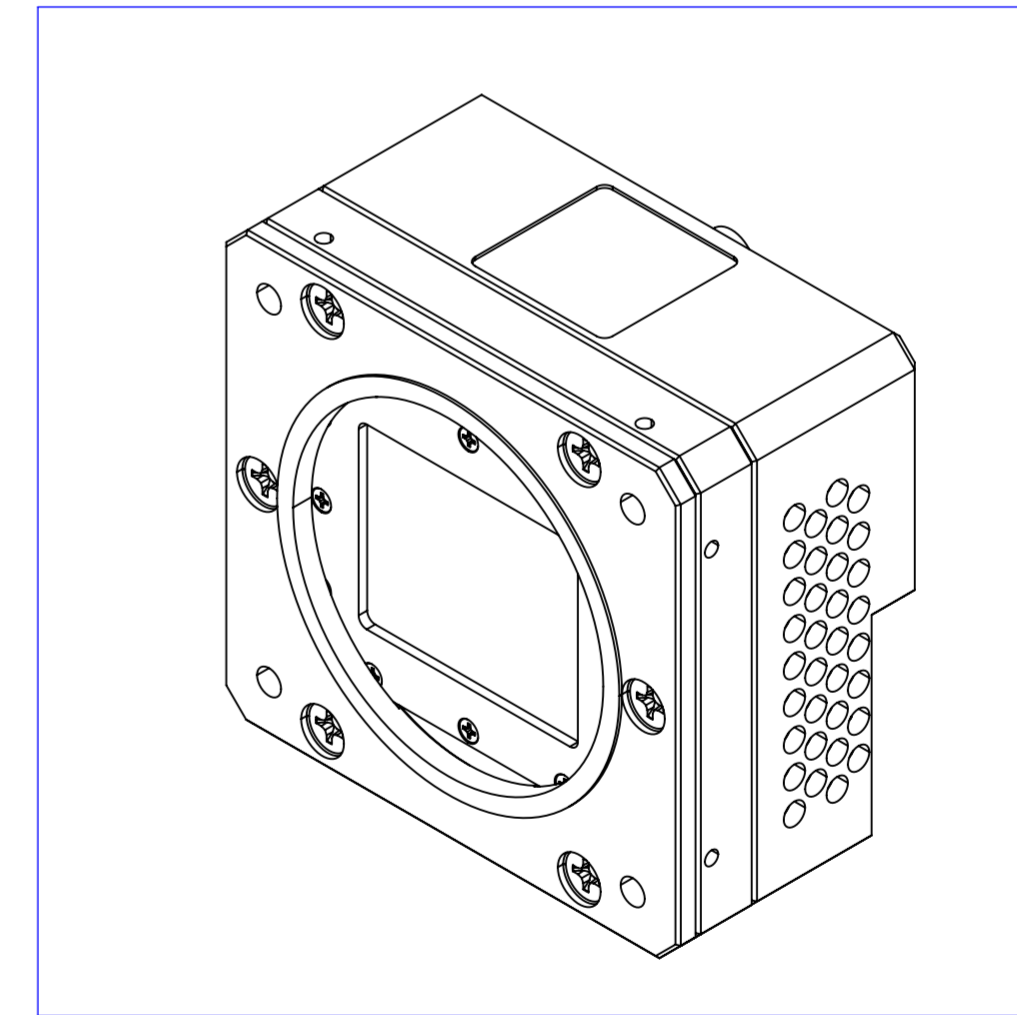
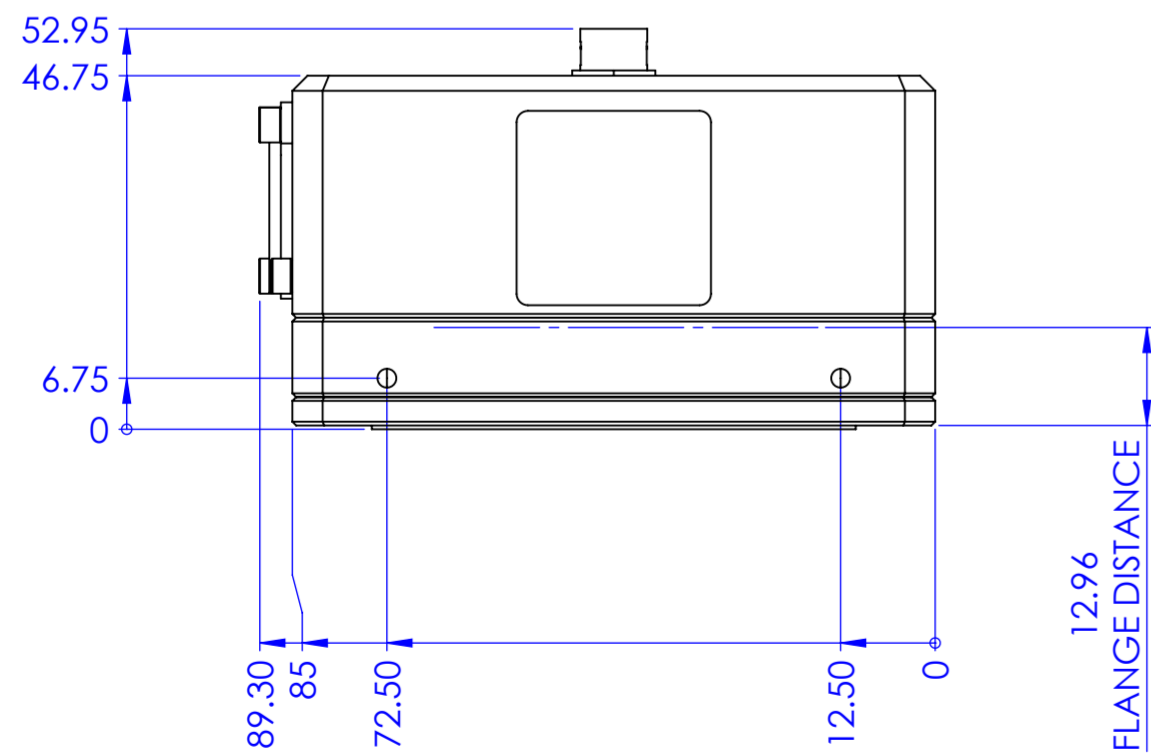
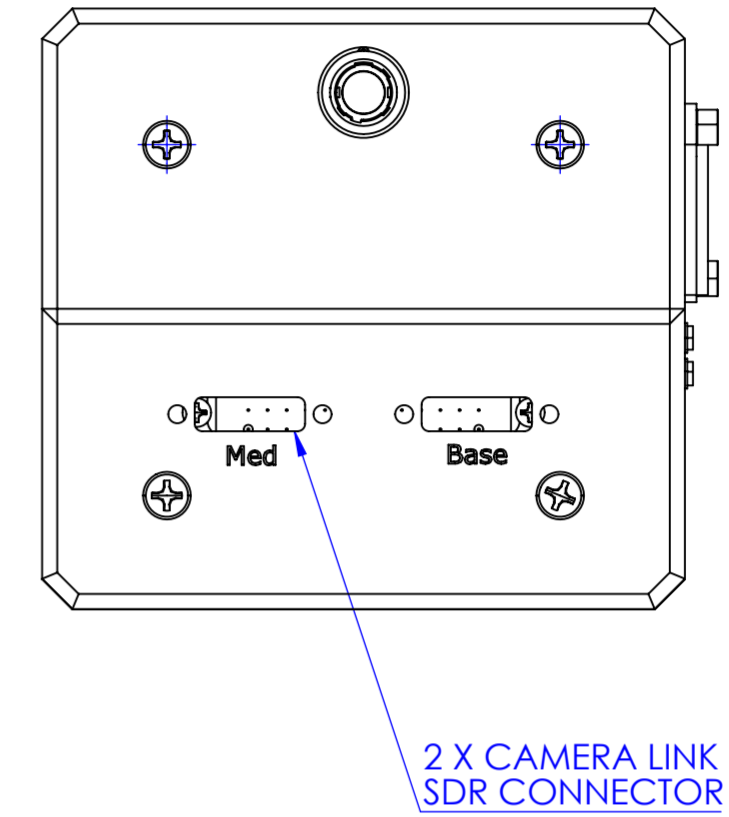
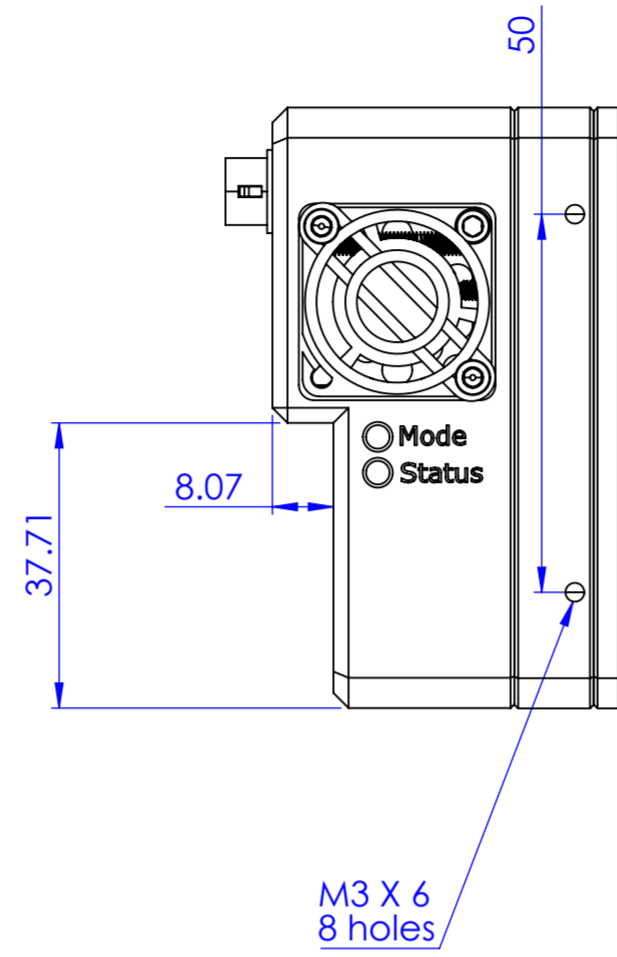
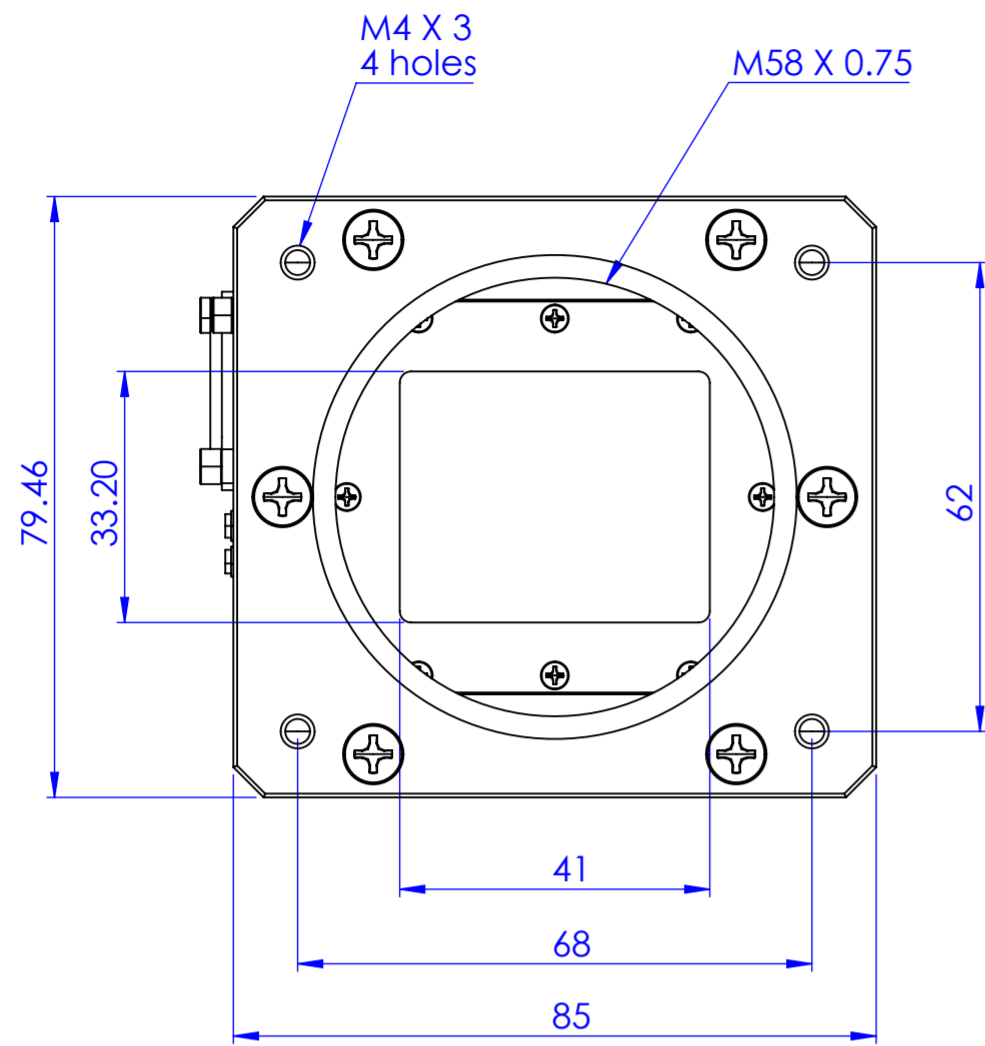


FOR MISSING DIMENSIONS SEE DW29336-B.STEP

| Rev No. | Description | Date | Name |
|---------|----------------------|------------|------------|
| B | Aggiornato cartiglio | 02/12/2021 | Bertolucci |



| | | | | | | | |
|---|-----------------------------|------------|----------------------|------------|--------------|-------|-------|
| Material | Materiale <non specificato> | Mass | 0 g | Scale | 1:1 | | |
| Surface treatment | N.A. | Part No. | CO29336 | | | | |
| Geometrical tolerance (ISO 2768-2) | Class | K | Undimensioned bevels | 0.5x45° | Description | | |
| Linear tolerance (ISO 2768-2) | Class | m | Undimensioned radii | R 0.5 | COE71XCLYY-K | | |
| 0.5 | >3± | >6± | >30± | >120 | >400± | >1000 | >2000 |
| +3 | 6 | 30 | 120 | +400 | 1000 | +2000 | +4000 |
| ±0.1 | ±0.1 | ±0.2 | ±0.3 | ±0.5 | ±0.8 | ±1.2 | ±2 |
| OPTO ENGINEERING S.r.l. - Mantova Italy - Tel. +39 0376 699111 - www.opto-engineering.com | Date | Name | Drawing No. | | | | |
| | Designed | 25/07/2019 | Rodella | DP 29336-B | | | |
| | Drawn | 26/07/2019 | Rodella | Sheet | | | |
| | Checked | 31/07/2019 | Ccharly | 1/1 | | | |
| <small>Secret and confidential - All rights reserved - No copy, dissemination or circulation is allowed unless specifically authorized in writing by OPTO ENGINEERING S.r.l. - Any violation shall be legally prosecuted.</small> | | | | | | | |

all dimensions are in mm